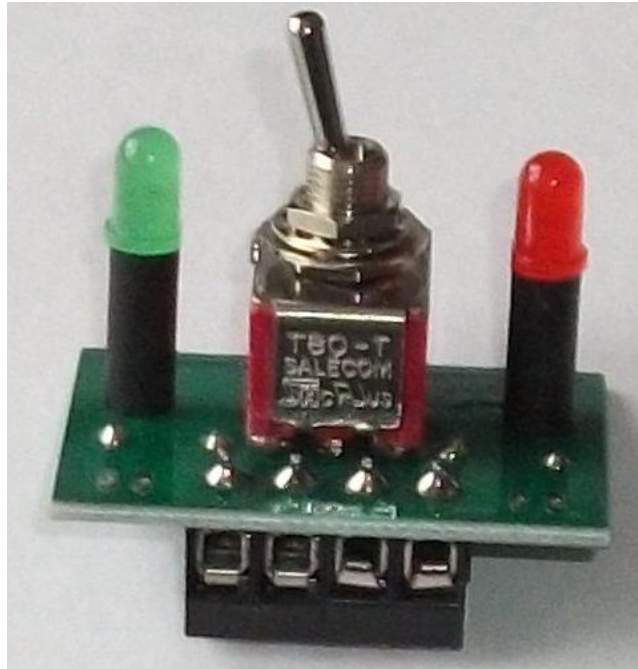


MR318 Points Motor Switch with Indicators.

A Point Motor Switch with STRAIGHT or TURN OUT Indications all on a small Printed Circuit Board with terminals for your incoming and outgoing wires, for Tortoise & Motors that stall at the end of the throw.

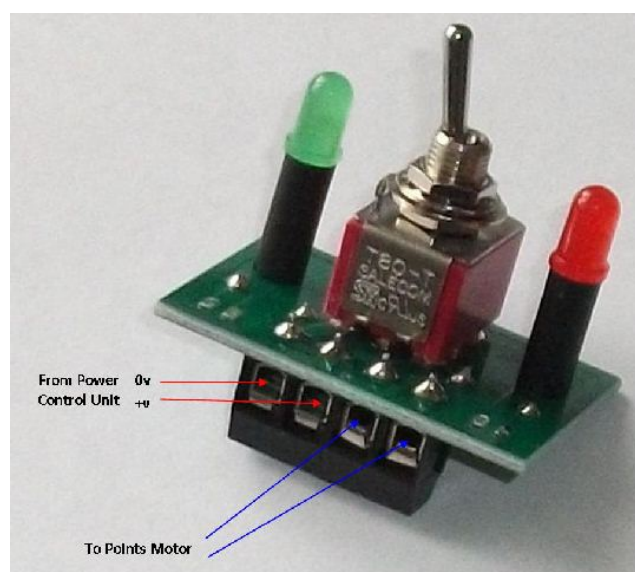


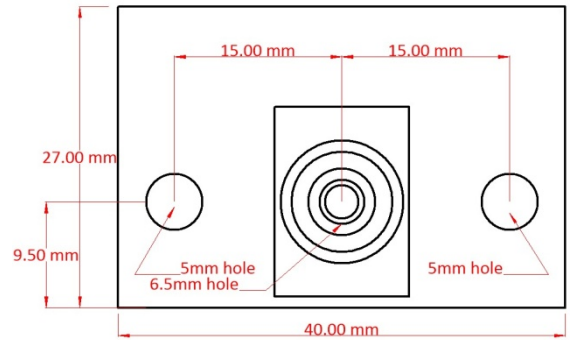
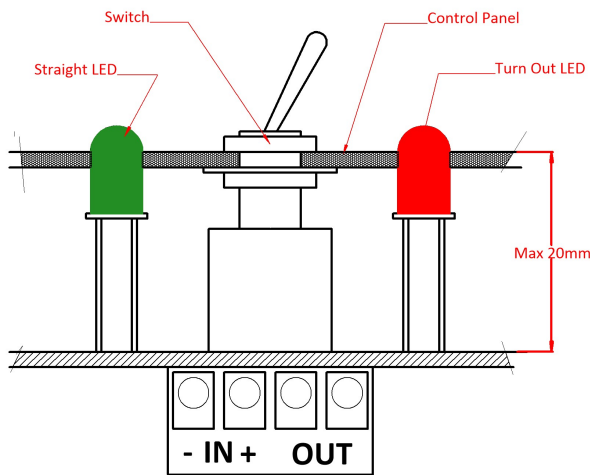
The MR318 is a triple Pole Double Throw mini toggle switch. 2 of the poles are used to reverse the polarity of the incoming power so that when the switch is moved down the output polarity is reversed. Instead of complicated wiring on the back of the switch the PCB does all this for you. The 3rd pole gives an LED Indication of the status of the points. The complete PCB with switch and indicators is only 40 x 27mm.

LED Indicators are in the same line as the switch and at a predetermined height so that they just poke through a front panel without any bezels or holding mechanism

Wiring is very simple 2 wires coming in from a power source, either directly. or via a CDU (Capacitor Discharge Unit).

The other 2 wires go to the set of points





Specification:

Miniature Toggle Switch, 3PDT Contact.
 5A Contact Current, 125Vac Contact Voltage,
 Copper Alloy Contact, Silver Plated,
 -30°C to +85°C Operating Temperature,
 PCB 40mm x 27mm
 Green LED: 2mcd @Viewing Angle 30°
 Red LED: 20mcd @ Viewing Angle 40°
 Terminals; Rated at 15 Amps at 300vAC

Application Circuits to follow.

Some Applications:

There are dozens of applications for this product in your Layout here are just a few.
For Printable Data Sheets on each application go to thehobbysshed.co.uk